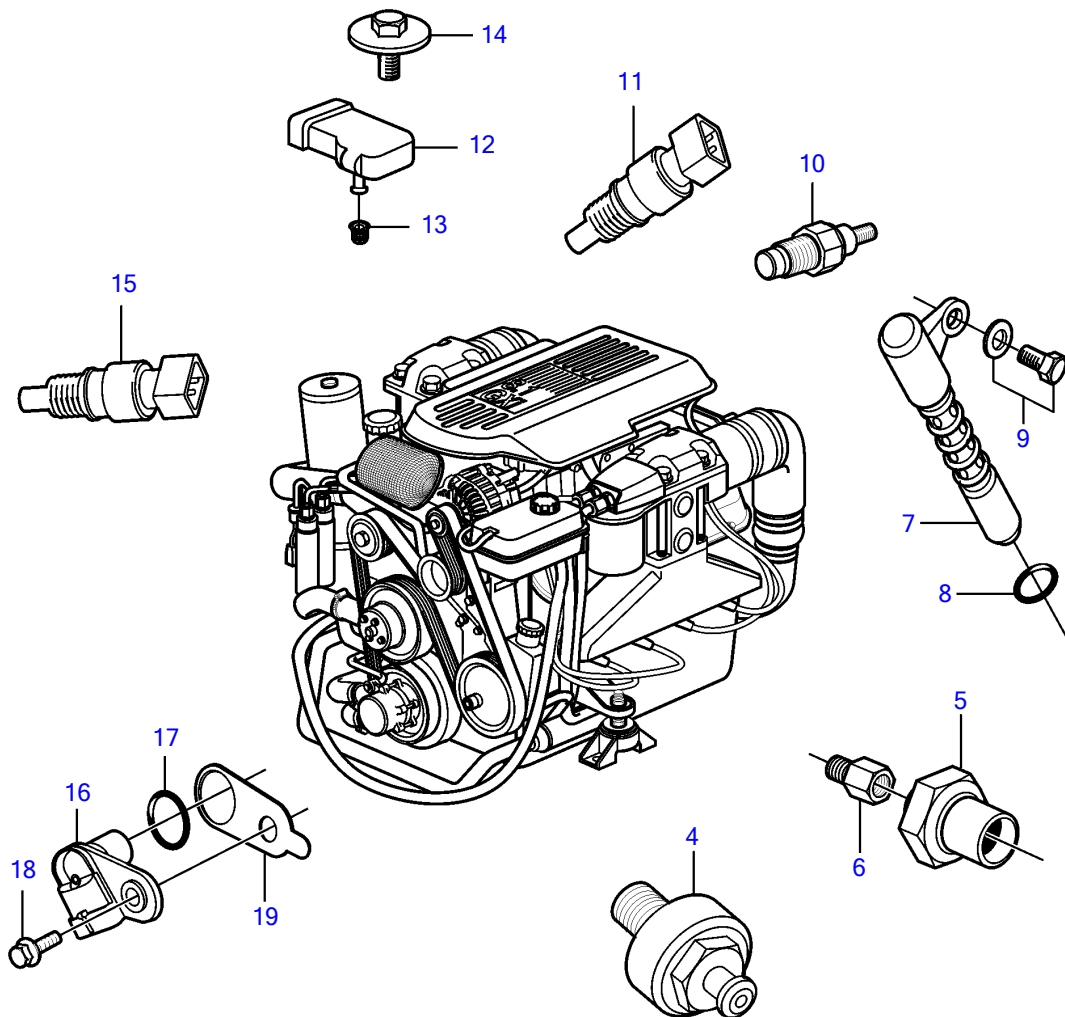
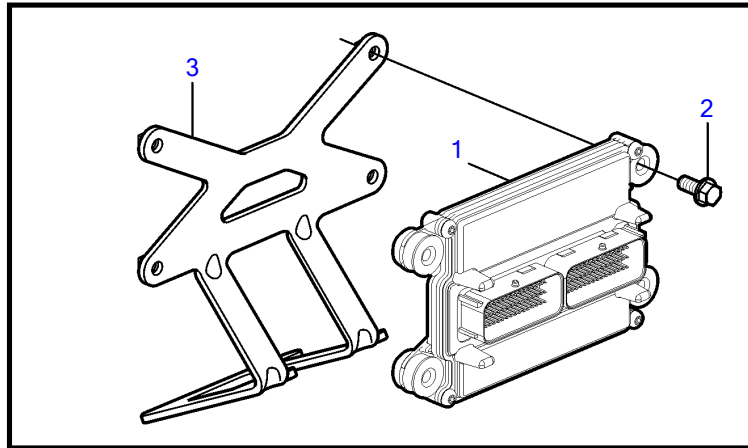


8.1IPSE-JF



24076

8.1IPSE-JF

REF	PART NO.	QTY	DESCRIPTION	NOTES
1	3595429	1	Module	
2	3843651	4	Flange screw	
3	3595472	1	Bracket	
4	3861301	2	Knock sensor	
5	3887328	1	Sensor	
6	3887970	1	Fitting	
7	3808516	1	Sensor, crankshaft position	
8		1	• O-ring	not sold separately
9	3861262	1	Bolt	
10	3862500	2	Temperature sensor	
11	3854527	1	Sensor, mat	
12	3861321	1	Sensor, map	
13	3858988	1	• Sealing	
14	3861240	1	Bolt	
15	3850397	1	Switch, coolant water temp.	
16	3808513	1	Sensor, camshaft position	
17		1	• O-ring	not sold separately
18		1	Screw	part not sold
19		1	Spacer	part not sold